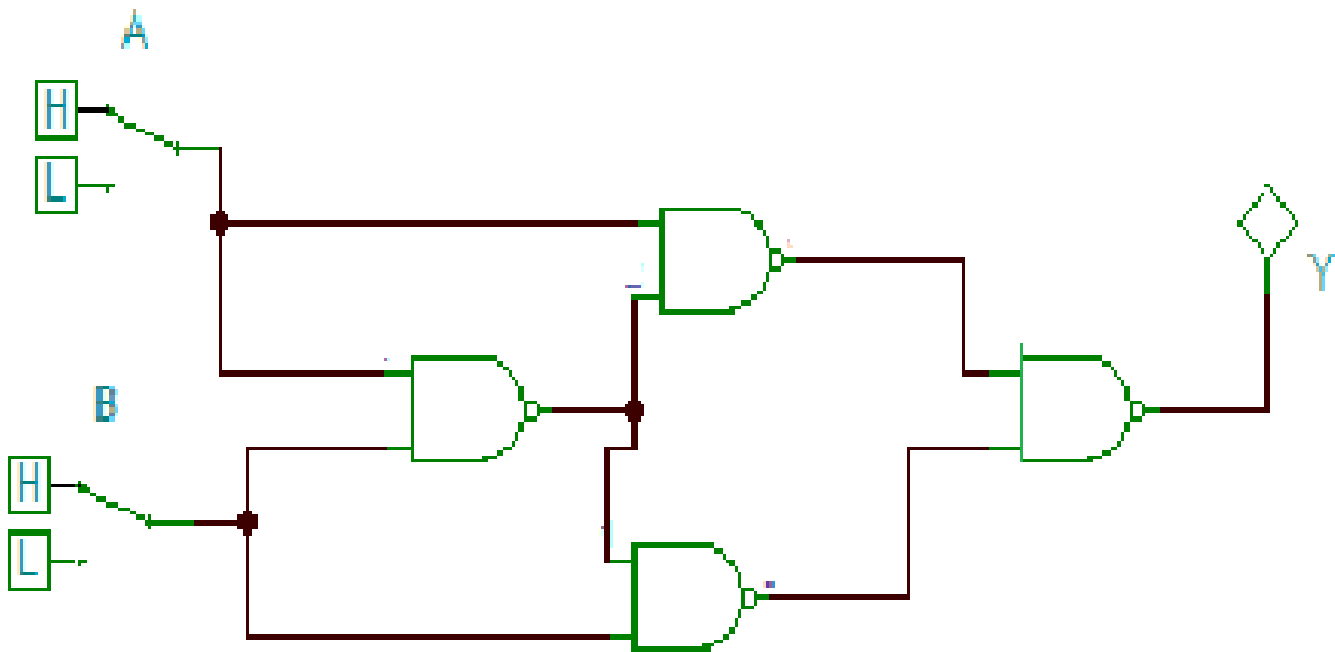


MAC283 Classwork No 2

1. From dpeled.com install the Tina circuit simulation demo software.
2. Use Tina software to construct the following circuit.

Test it. Simplify it using Boolean algebra and redraw the simplified circuit.



Please email your work to prof@dpeled.com (Make sure I acknowledge receiving it.)

GOOD LUCK!