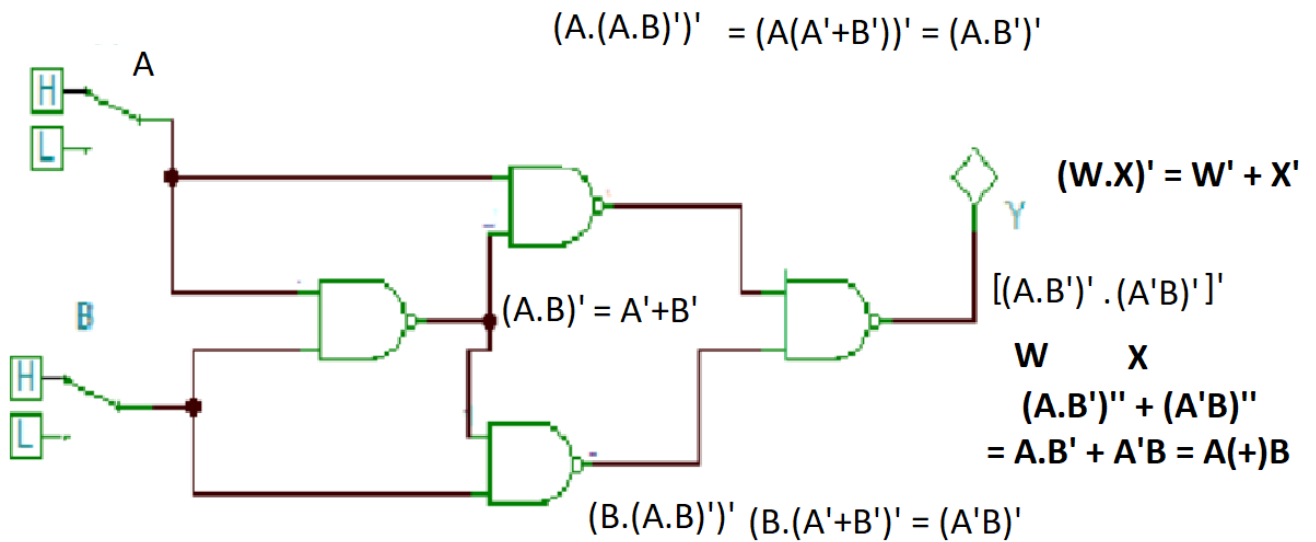


Answers to MAC283 Classwork NO.2

1. Original Circuit.



2. $Y = A(+B)$ Showing a binary induction that both circuits are identical for all four possible inputs. (00,01,10,11.)

