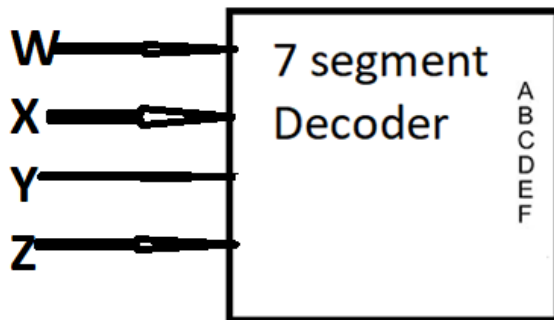


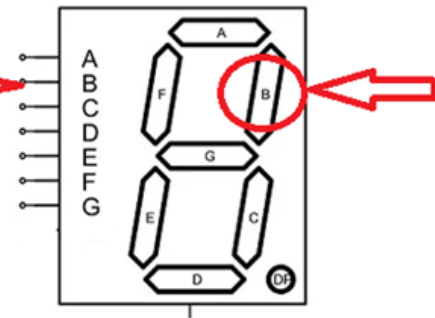
MAC283 CW NO 3. Spring I 2025

Design and implement a Binary to Seven segment decoder output for the segment B(10). Show all the steps of the design.

Binary Inputs



B Segment Output



Submit your work to prof@dpeled.com

Make sure that I receive your email with the relevant attachments before you leave blackboard.

GOOD LUCK