

MAC283 Classwork NO 1

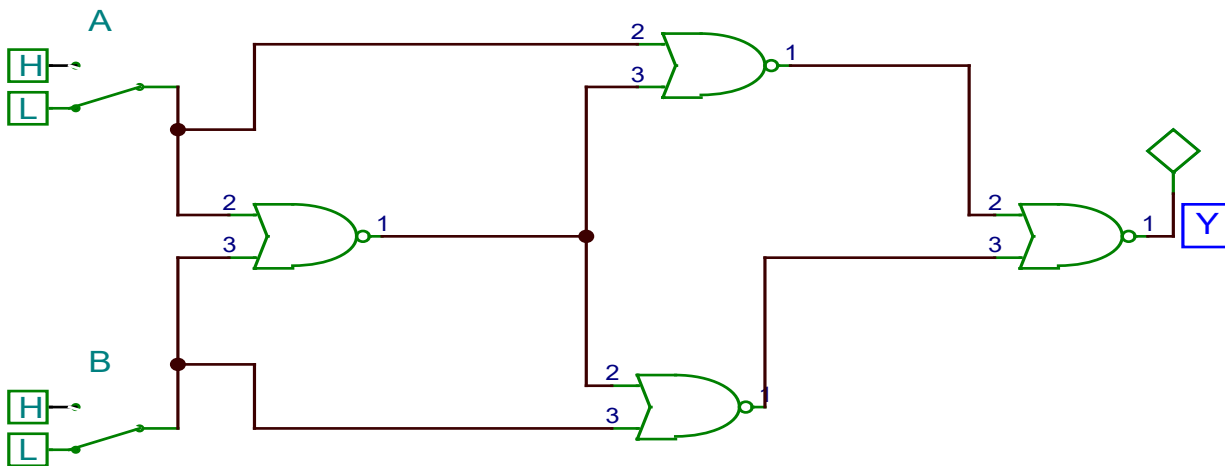
1. Convert the following base 32 to a base 16 number without converting it on the way to base 10.

$$PQR(32) = X(16)$$

2. Subtract $aPd(50) - YZ9(50)$
3. Simplify the following Boolean expression and draw its logic circuit.

$$Y = ABC' + A'BC + AB'C + A'B'C'$$

4. Using Boolean algebra, simplify the following logic gate circuit and redraw the simplified version.



Submit your work to prof@dpeled.com

GOOD LUCK!