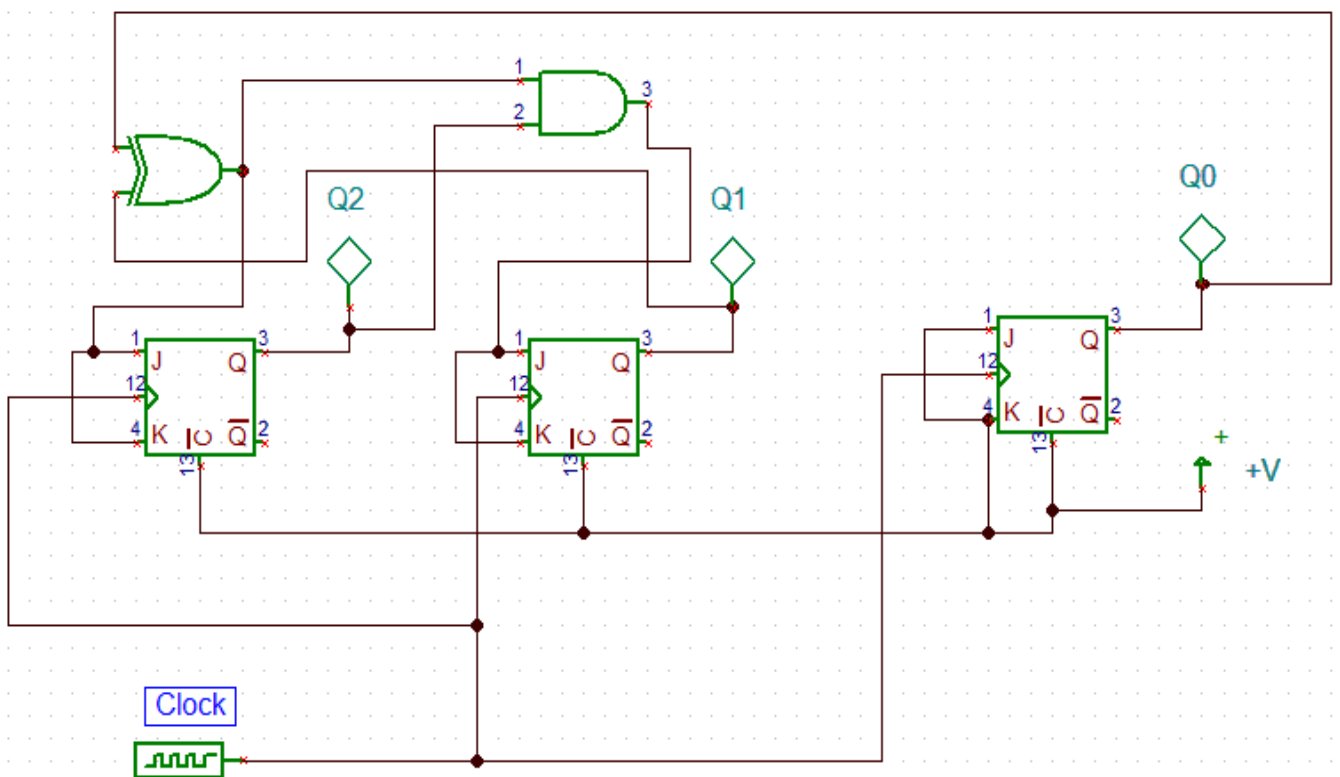


MAC283 Quiz NO 1.

For all questions, please provide a step by step answers.

1. Design and implement a 7 segments decoder for the segment g(8).
I.e. for numbers that are from 0 to 7.
2. Design and implement a synchronous counter that loop counts:
 $5 \rightarrow 3 \rightarrow 2 \rightarrow 4 \rightarrow 6$.
3. Obtain the counting states of the following counter.



EMAIL YOUR QUIZ TO prof@dpeled.com.

Before leaving, make sure I receive your email.

GOOD LUCK!