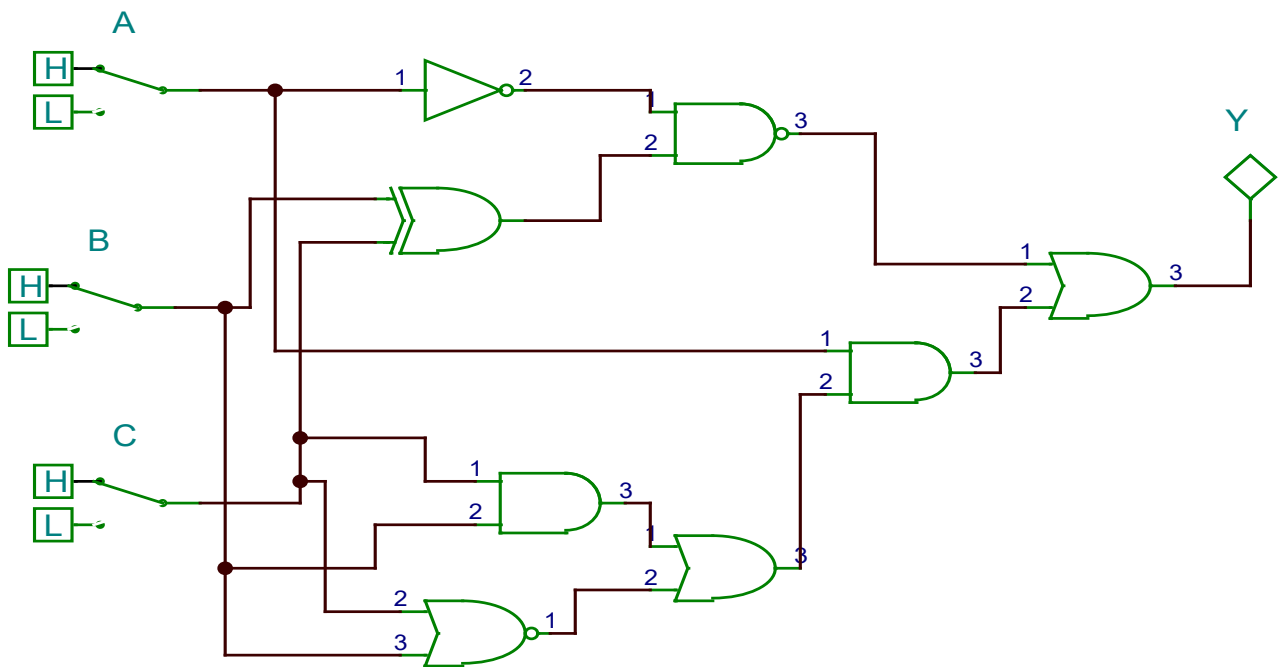


MAC283 Quiz NO. 3

Simplify the following circuit using Boolean Algebra and draw the simplified circuit.

SHOW STEP
BY STEP

Use Tina to redraw the simplified circuit.



Copy using snipping tool your work from Tina.

Email your work to prof@dpeled.com

Please do not leave before I acknowledge your work.

GOOD LUCK!